

# SPROCK AGRARSYSTEME

everything from one source



MS 610 - series



## MS 610 - series

The comprehensive climate computer for your pig farm

**MS610 series:** The number one climate solution for your pig farm. The MS610 series climate computers have various controls including heating, ventilation, cooling, heat exchanger and growth curve controls. The special climate controls for Ecovent, central exhaust and AQC air control units make this series ideally suited to automatically managing your climate control system. Because unused functions are not displayed, you can customise the MS610 climate computers exactly to the specific situation on your farm. This makes them even more user friendly and transparent. The large graphic display gives you an overview of your housing unit at a single glance. The modular construction of these controllers enables all future expansions to be implemented easily. The MS610 series was developed in the daily farm practice, in conjunction with our customers, i.e., your fellow-farmers.



**General**

- 230Vac-50/60Hz supply voltage
- modular construction by module- bus
- protection category IP-54
- dimensions: 360 x 320 x 155mm
- optional: communication via RS-485 PCB

• available in 3 versions:

- KL-6002
- KL-6005
- KL-6010

**Inputs and outputs**

10K temperature sensor	12	12	10
measuring fan input	10	5	4
input 0-10Vdc	-	-	5
output 0-10Vdc	22	12	12
relay 230Vac/2A	2	-	-
switched solid state outputs 24Vac	10	10	6
24Vdc/85mA for AQC	10	5	4
12Vdc/15mA for measuring fan	10	5	4
error contact 24Vdc/2Amp	1	1	1

**Sprock Connect**



SprockConnect is a innovative Cloud Computing system. You can access your farm data from anywhere in the world by means of the IP-485 gateway. All management information from the process computers is stored in the cloud via the data centre. You can use an SSL-protected web browser to log on and all data, which may concern different locations, is centralised to give a comprehensive overview. SprockConnect keeps you 'connected' to your farm, wherever you may be.

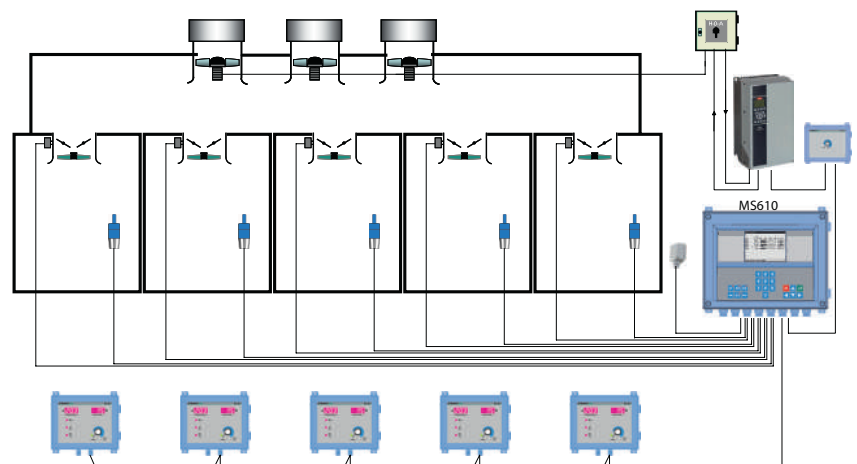
**AQC**



The excellent aerodynamic properties of the measuring fan and the control flap (double or quadruple) of the AQC enable highly reliable ventilation control. In combination with a Sprock climate computer, the AQC can be used as a measuring and control unit in a central exhaust system, and as a measuring and damper unit under ventilation sockets. This unit enables the ventilation capacity to be controlled starting from 0.4 m/s. As standard, the AQC is supplied with a unique connector, guaranteeing troublefree installation.

**MS610**

The MS610 is a local information station that perfectly matches the MS610 series climate computers. This information station is installed in every room which is a part of a central exhaust system and enables you to read the current room temperature and ventilation at a glance. Furthermore, the MS610 informs you about heating and alarm statuses. To clean the room, you turn the control knob to the desired ventilation level. The MS610 provides you with up-to-date insight into your separate rooms.



Only for explanation purposes! No rights can be derived from this drawing!

# MARTIN SPROCK G m b H

Bernethsdamm 6 · 26219 Bösel / Germany · Telefon (0049) 44 94 / 9 10 91 · Telefax (0049) 44 94 / 9 11 19  
E-mail: info@sprock.de · Internet: www.sprock.de

agri-automation · climate · ventilation · heating  
feeding · watering · silo · planning

